

**SPRAGUE DEVICES, INC.**

# HP-200 AIR WIPER MOTOR

**A New Generation Of Air Wiper Motors.**



The Sprague HP-200 air wiper motor is designed for dependability and long performance life.

The HP-200 has been durability tested for a minimum of 4.5 million cycles and employs the same valving circuitry as the HP-100 which has been in service since 1985.

To insure that Sprague motors deliver peak performance, every motor is pre-qualified by a

cycling period and is 100% tested for wiped angle, speed, park position and leakage. In addition, the shaft to gear weldments are torque tested.

The HP-200 motor will replace Sprague Super Challenger and Air Push II Series motors, as well as some specific Trico systems.

For complete product/service information call us toll-free at (800) 245-7691.

## **Design Features**

- Aluminum and zinc materials for strength, durability, and less weight at 33 oz.
- 4 moving parts for simplicity and maximum service life.
- Rack and pinion power train for maximum strength.
- Simplified valving for positive reversal through pneumatic mechanical action.
- Derlin\* and Teflon Acetyl internal valve parts for long life and resistance to contaminants.
- Intermittent wiper feature available.
- Available in 3/8" or 5/8" diameter motor shaft.

## **Performance Features**

- Delivers up to 300 in. lbs. torque at 100 psi.
- Small size is ideal for applications having limited space.
- Designed for linkage application to take advantage of HP-200's 130° maximum arc.
- Allows pivot shaft to have wide range of selected arcs.
- Available in wiper angles from 60° - 130° in direct drive applications.
- Parking for either right or left side.

## **Quality Assurance**

- Exceeds OEM durability requirements of 4.5 million cycles.
- Every motor is pre-qualified prior to final performance testing.
- Every motor is set for specific high speed operation under typical wet windshield loading.
- Every motor is tested for wipe angle, speed, torque, park position and leakage.
- Quality control process insures parts meet print specifications.

\*Trademark of DuPont Corporation.



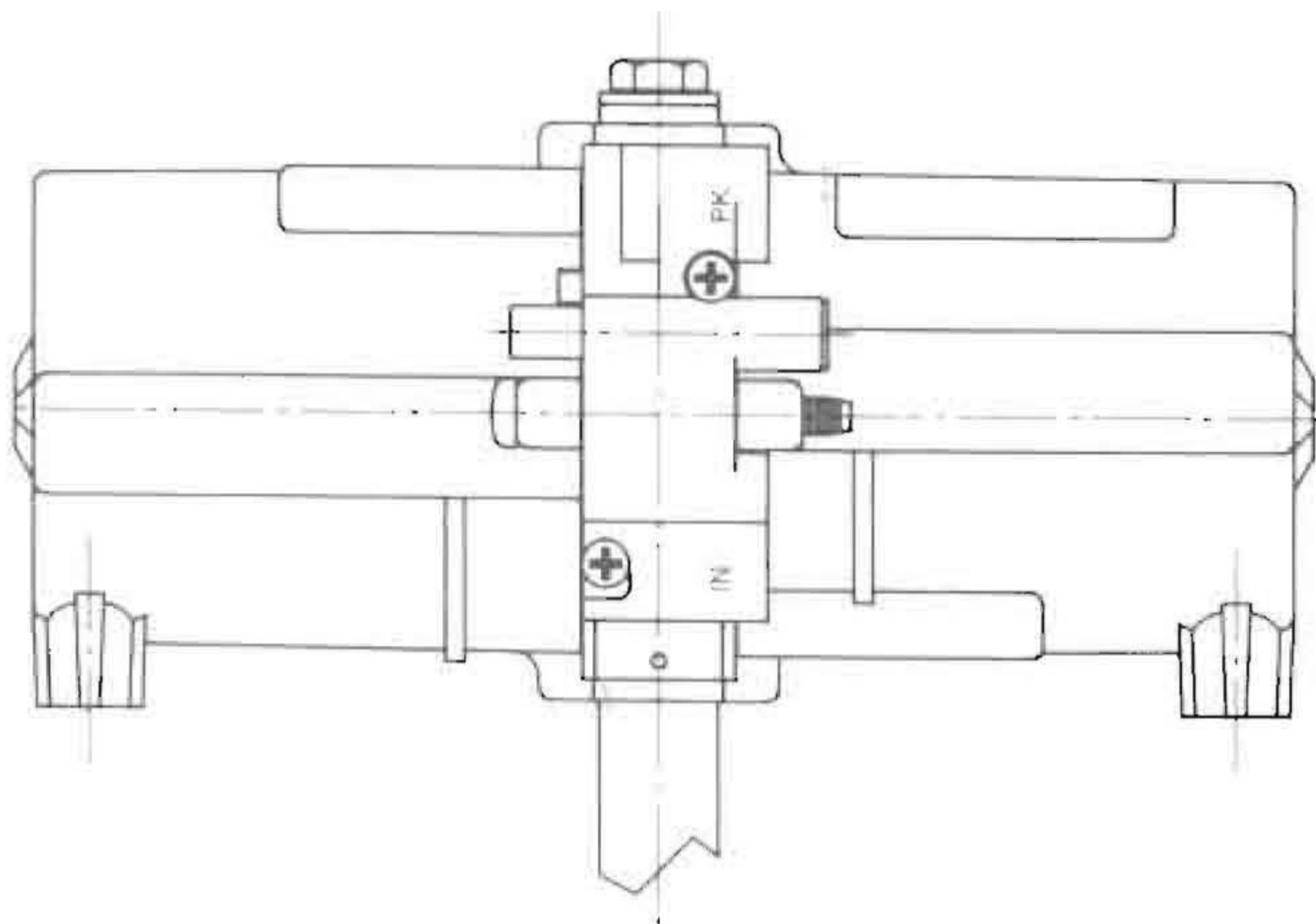
# SPRAGUE DEVICES, INC.

# HP-200 AIR WIPER MOTOR

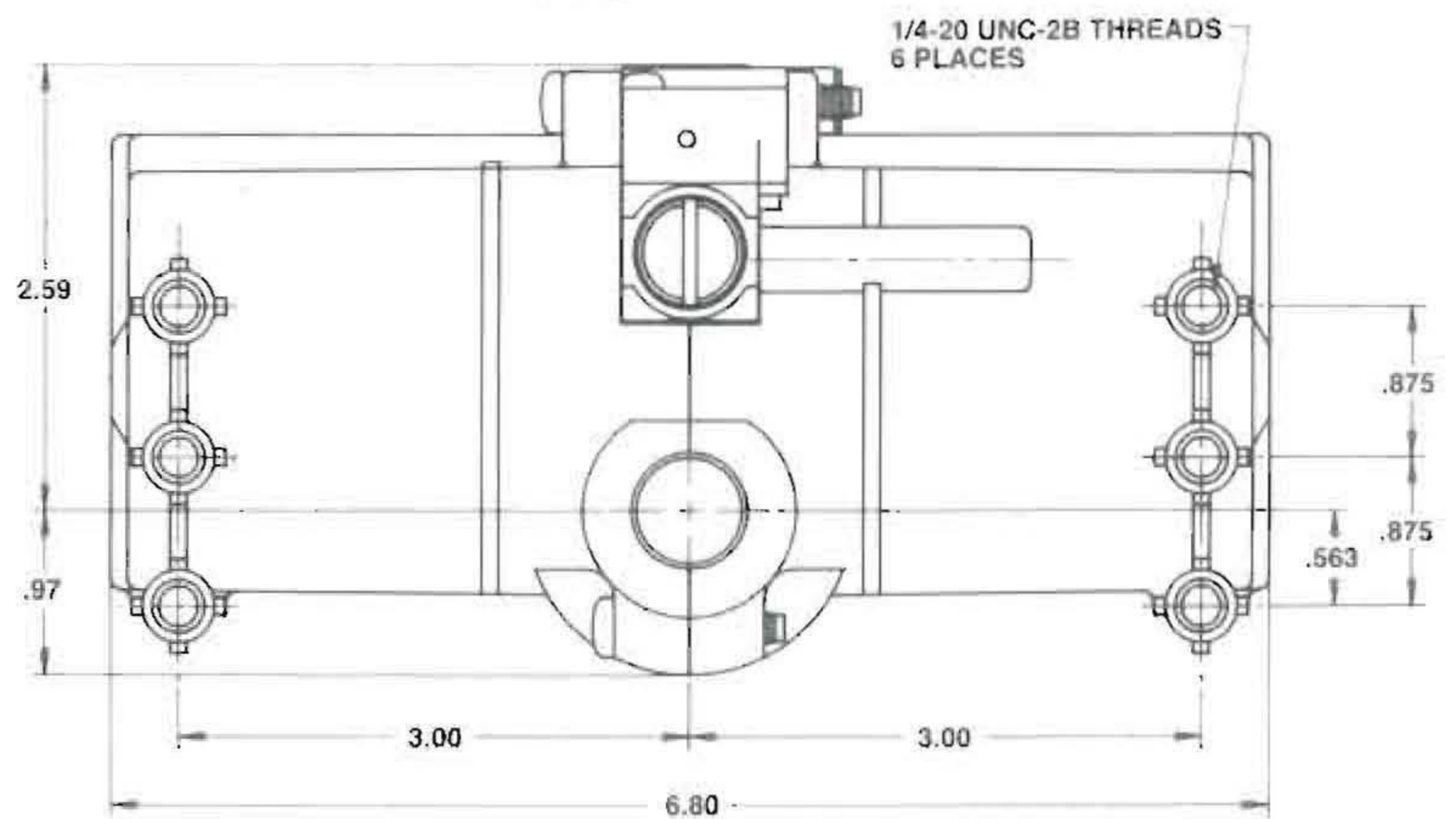
## SPECIFICATIONS

### DETAIL DRAWINGS

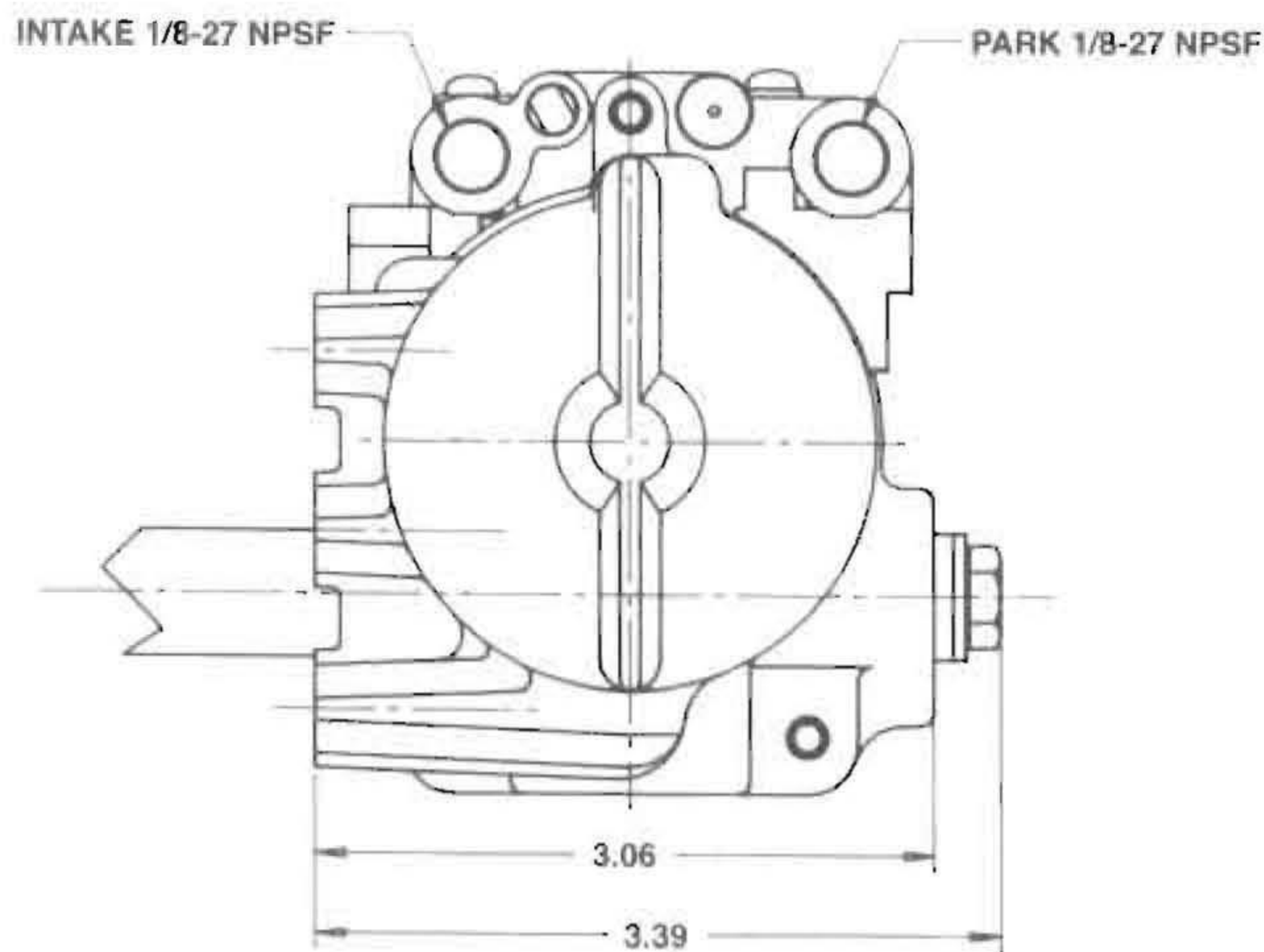
TOP VIEW



FRONT VIEW



END VIEW



### CFM, CPM AND STALL

Maximum C.F.M., C.P.M. and Stall Torque 130° HP-200

