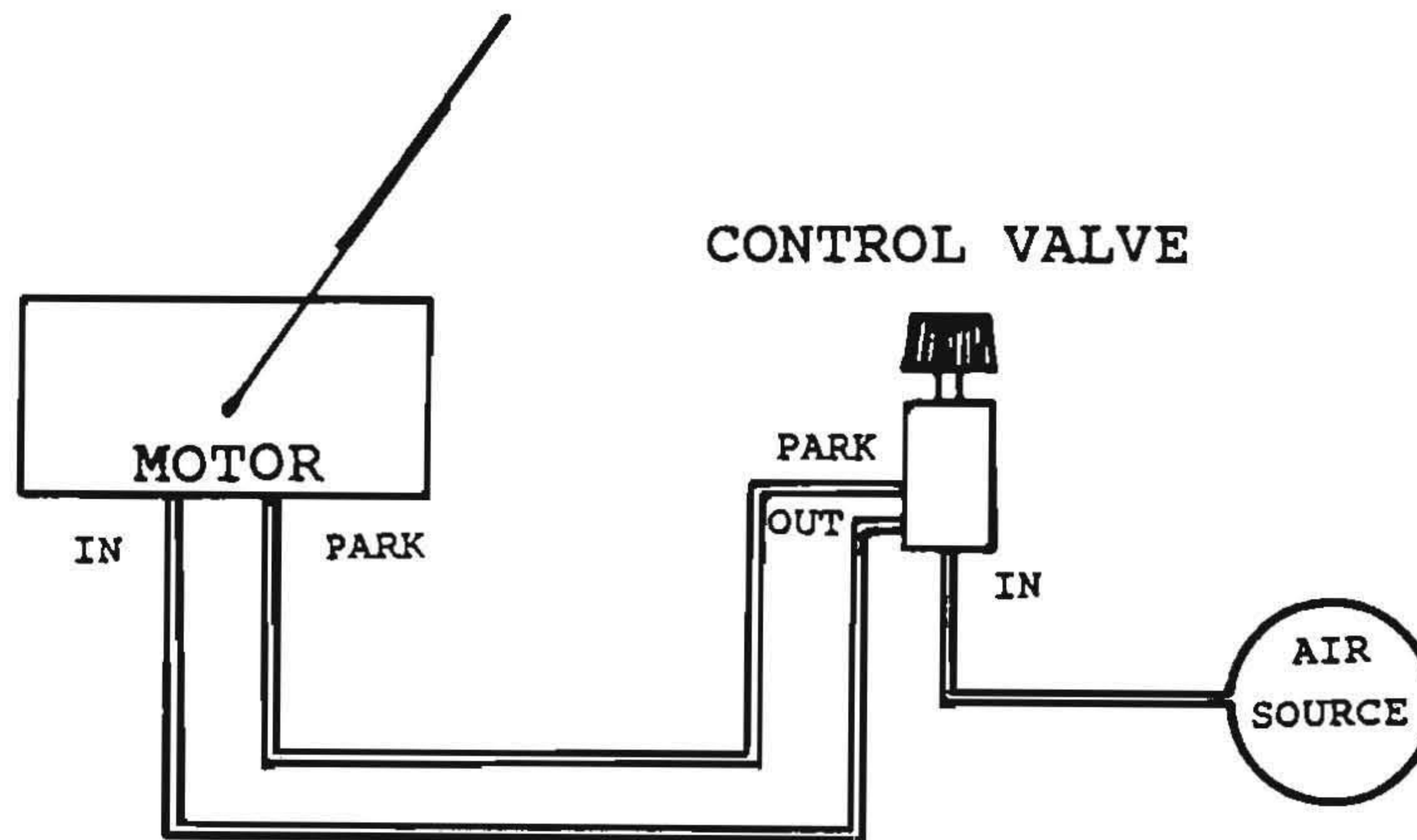
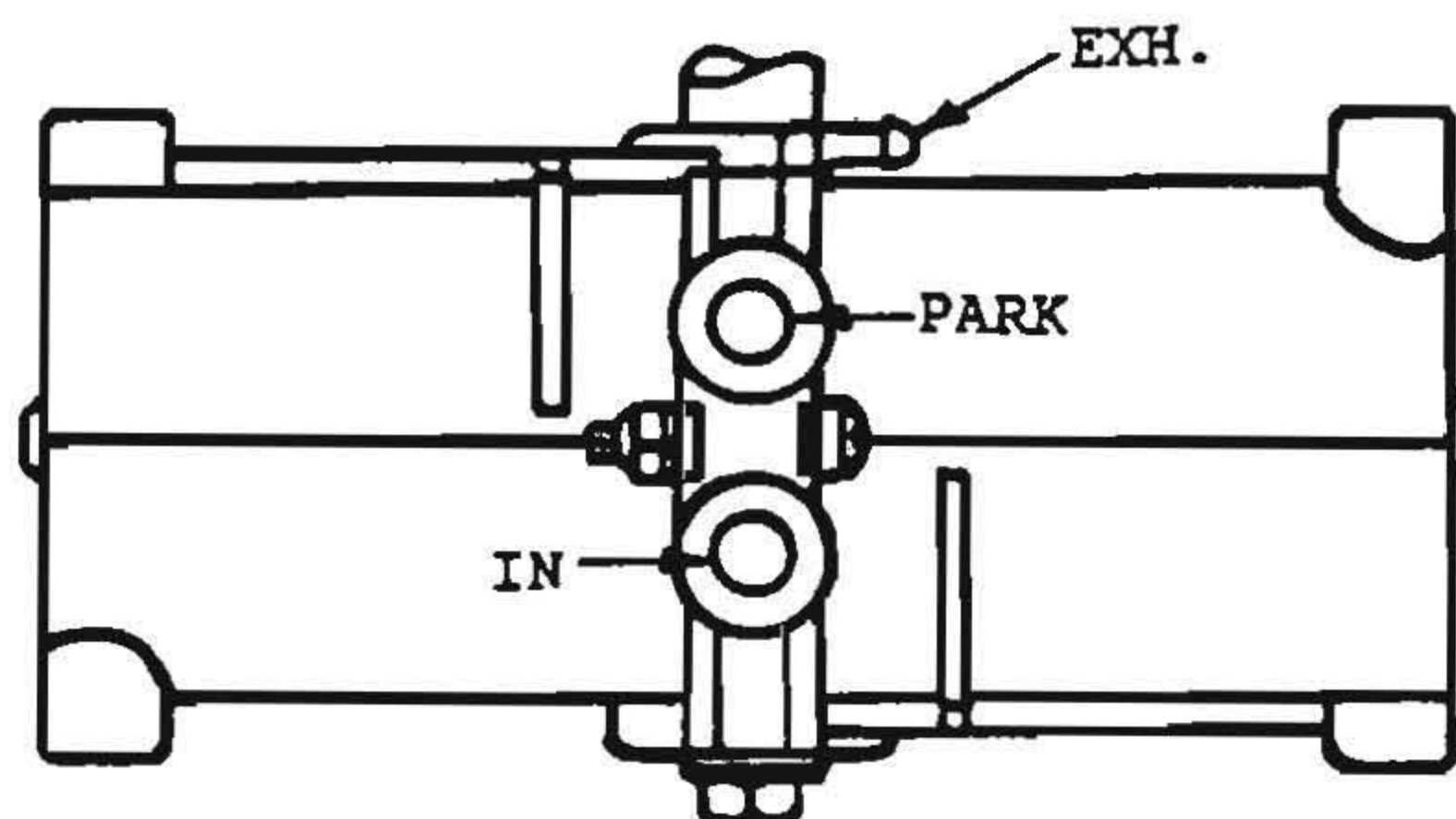


PIPING DIAGRAM FOR WIPER MOTORS

PIPING DIAGRAM (ALL MOTORS)



MOTOR OPTIONS

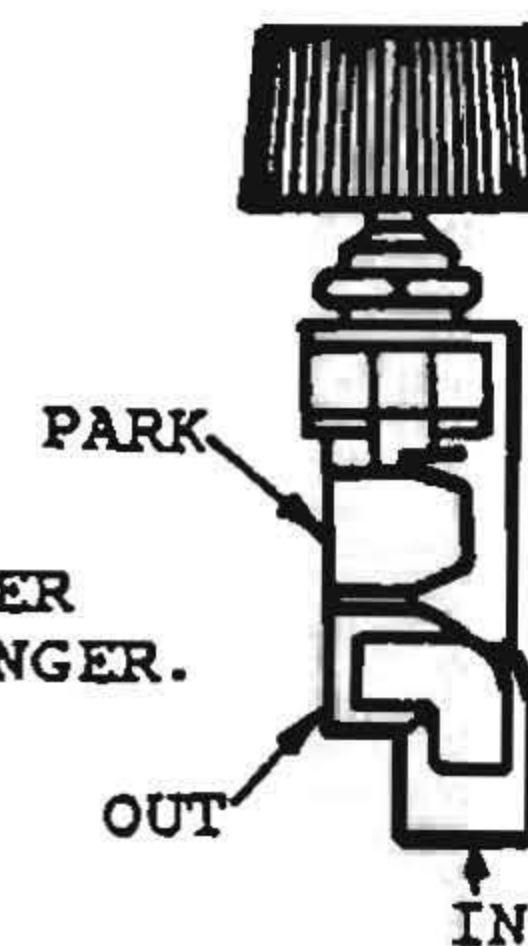


AIR PUSH II

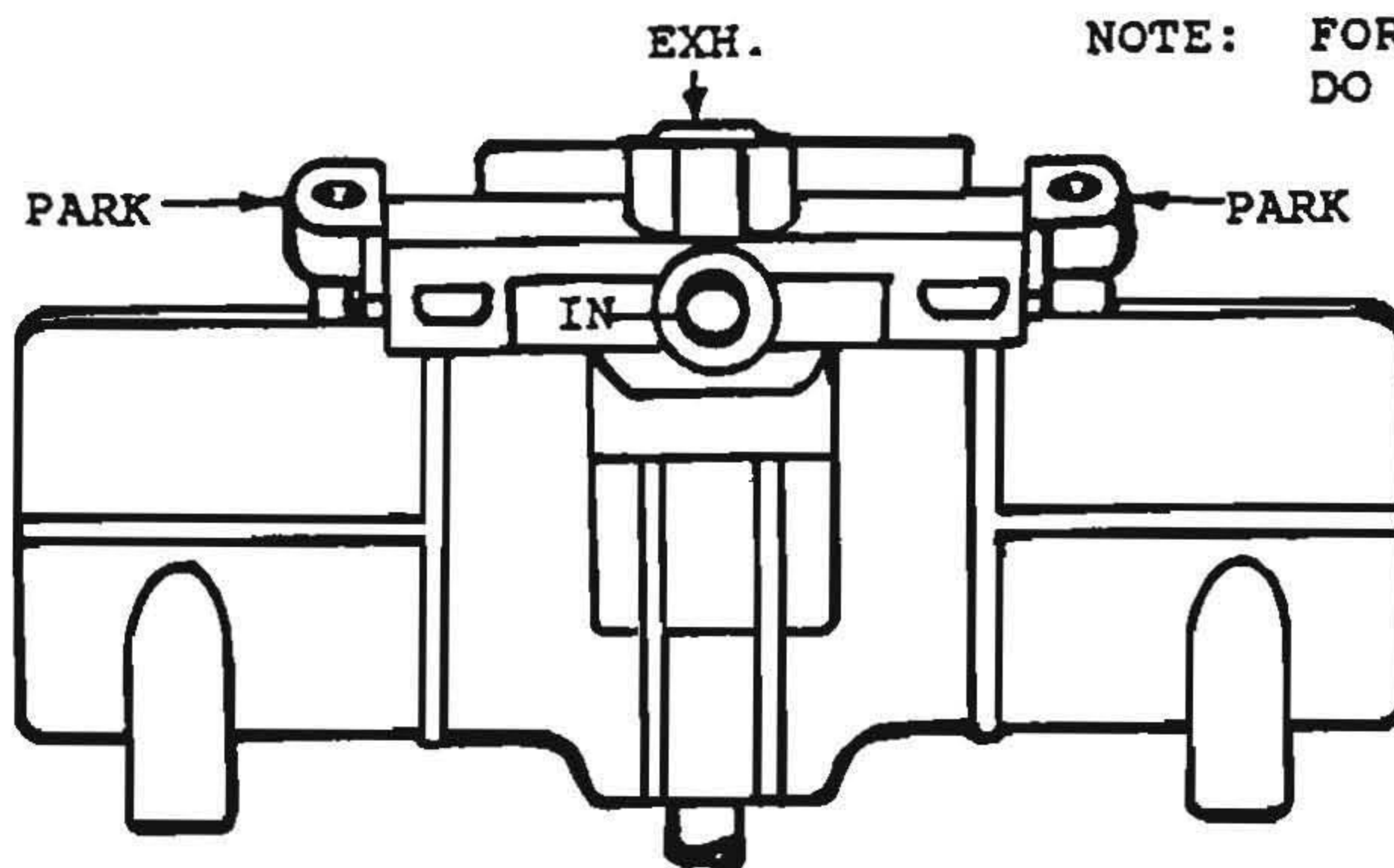
NOTE: ALL PORTS ARE 1/8" PIPE THREADS.

NOTE: HOOK-UP FOR CHALLENGER SAME AS SUPER CHALLENGER.

VALVE OPTIONS



SIDE PORTED

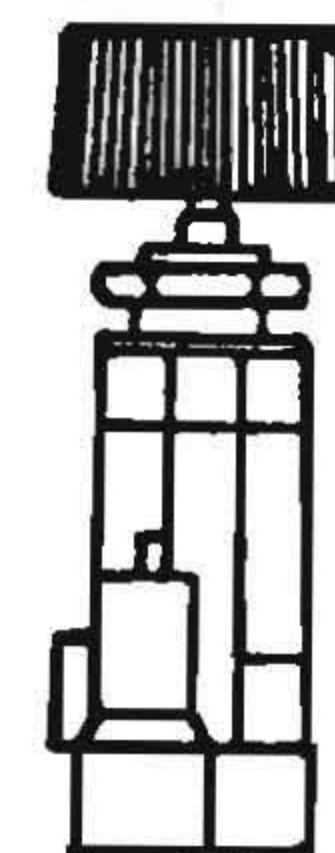
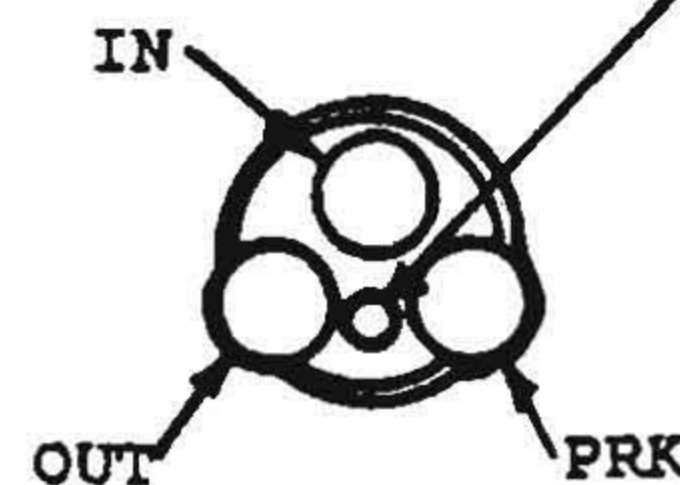


SUPER CHALLENGER

AND CHALLENGER

NOTE: FOR CHALLENGER AND SUPER CHALLENGER DO NOT PLUG UNUSED PARK FITTING.

NOTE: AIR TO WASHER PUMP OPT. WITH WASH WIPE ONLY.



END PORTED